

## TVICAM-B5M-20DL 3K Dual Light Audio Fixed Mini Bullet Camera



- High quality imaging with 3K, 2960 × 1665 resolution
- Fixed focal lens, 2.8 mm and 3.6 mm optional
- Up to 20 m IR distance for bright night imaging
- Up to 20 m white light distance for bright night imaging
- One port for four switchable signals (TVI/AHD/CVI/CVBS)
- Water and dust resistant (IP66)
- High quality audio with audio over coaxial cable, built-in microphone

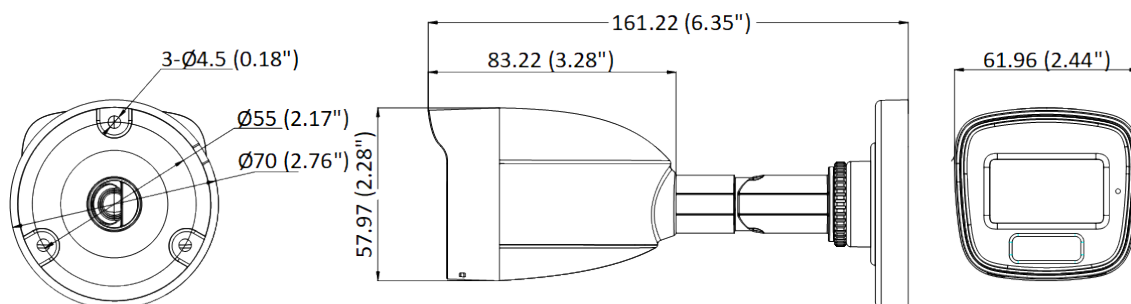
## ▪ Specification

<b>Camera</b>	
Image Sensor	3K CMOS
Max. Resolution	2960 (H) × 1665 (V)
Min. Illumination	0.01 Lux @ (F1.2, AGC ON), 0 Lux with IR
Shutter Time	PAL: 1/25 s to 1/50,000 s; NTSC: 1/30 s to 1/50,000 s
Day & Night	ICR
Angle Adjustment	Pan: 0 to 360°, Tilt: 0 to 180°, Rotate: 0 to 360°
Signal System	PAL/NTSC
<b>Lens</b>	
Lens Type	2.8 mm and 3.6 mm fixed focal lens
Focal Length & FOV	2.8 mm, horizontal FOV: 104.9°, vertical FOV: 67.3°, diagonal FOV: 129.8° 3.6 mm, horizontal FOV: 81.3°, vertical FOV: 50.7°, diagonal FOV: 102.4°
Lens Mount	M12
<b>Illuminator</b>	
Supplement Light Type	White Light, IR
Supplement Light Range	IR : up to 20 m White Light : up to 20 m
<b>Image</b>	
Image Settings	Brightness, Sharpness, Smart IR
Frame Rate	TVI: 3K @20 fps, 4 MP @25 fps/30 fps, 1080p @25 fps/30 fps AHD: 5 MP @20 fps, 4 MP @25 fps/30 fps CVI: 4 MP @25 fps/30 fps CVBS: PAL/NTSC
Day/Night Mode	Auto/Color/BW (Black and White)
Wide Dynamic Range (WDR)	Digital WDR
Image Enhancement	DWDR/BLC/HLC/Global
White Balance	Auto/Manual
AGC	Yes
<b>Interface</b>	
Video Output	Switchable TVI/AHD/CVI/CVBS
<b>General</b>	
Material	Metal
Dimension	161.22 mm × 57.97 mm × 61.96 mm (6.35" × 2.28" × 2.44")
Weight	Approx. 300 g (0.66 lb.)
Operating Condition	-40 °C to 60 °C (-40 °F to 140 °F). Humidity: 90% or less (non-condensation)
Communication	Hik-Connect, HiLookVision
Language	Polish
Power Supply	12 VDC ± 25% *You are recommended to use one power adapter to supply the power for one camera.
Consumption	Max. 2.9 W
<b>Approval</b>	
Protection	IP66

## ▪ Available Model

TVICAM-B5M-20DL

## ▪ Dimension

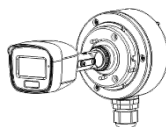


Unit: mm (inch)

## ▪ Accessory

### ▪ Optional

#### DS-1280ZJ-XS Junction Box



### Headquarters

No.555 Qianmo Road, Binjiang District,  
Hangzhou 310051, China  
T +86-571-8807-5998  
Technical Support: support@hikvision.com

Follow us on social media to get the latest product and solution information.



Hikvision



HikvisionHQ



HikvisionHQ



Hikvision\_Global



Hikvision  
Corporate Channel



hikvisionhq