

PTZ-N4MP

4 MP Powered-by-DarkFighter Network Speed Dome



- High quality imaging with 4 MP resolution
- Clear imaging against strong back light due to DWDR technology
- 3D DNR technology delivers clean and sharp images
- Hik-Connect cloud service and APP for remote management and views of devices
- Built-in microphone for real-time audio security
- Built-in memory card slot, support microSD/SDHC/SDXC card, up to 256 GB
- Water and dust resistant IP66

▪ Specification

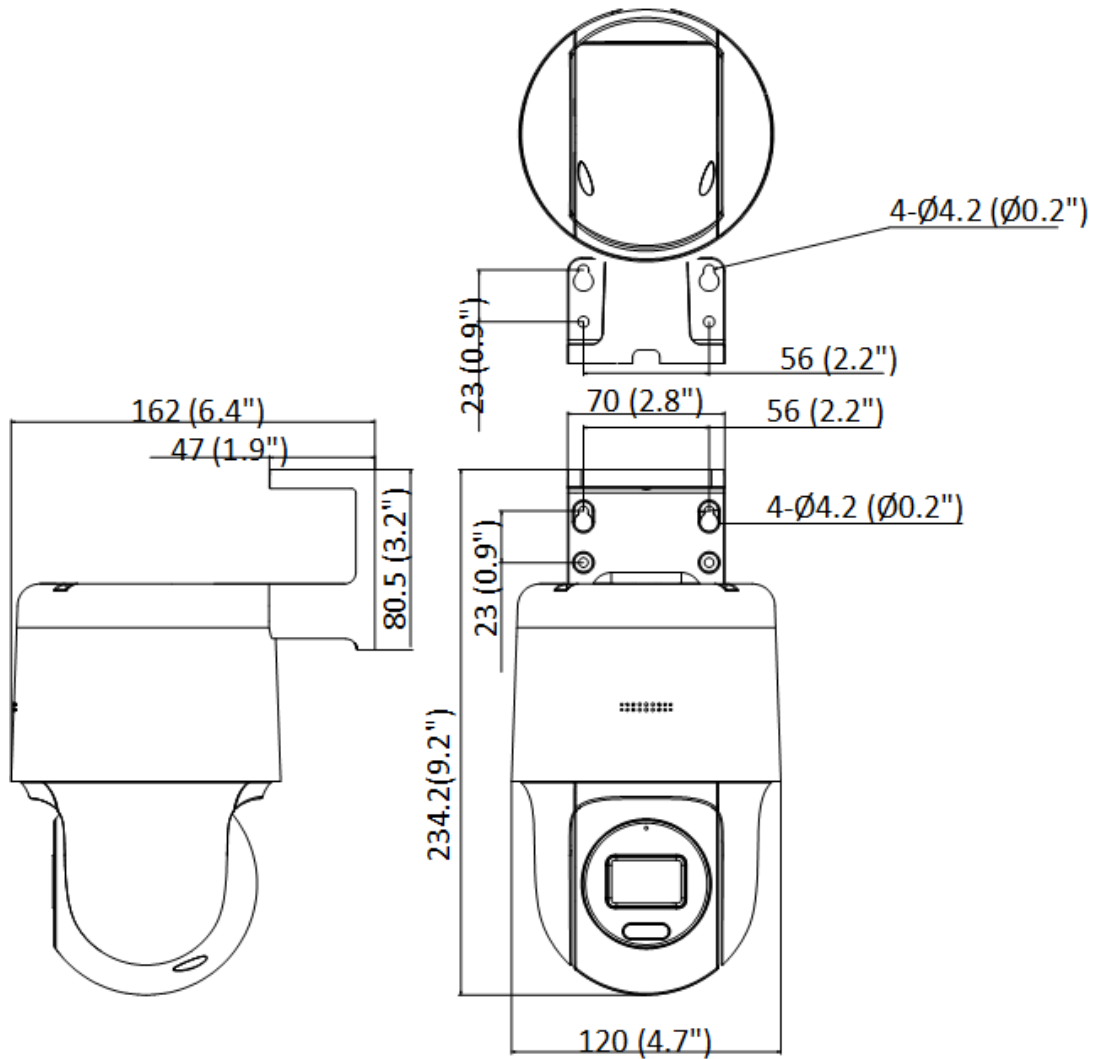
Camera	
Image Sensor	1/3" Progressive Scan CMOS
Min. Illumination	Color: 0.005 Lux @(F1.2, AGC ON), B/W: 0 Lux with IR
Max. Resolution	2560 × 1440
Lens	
Focal Length	2.8 mm/ 4 mm
FOV	2.8 mm, horizontal FOV 97°, vertical FOV 52.3°, diagonal FOV 114.3° 4 mm, horizontal FOV 79°, vertical FOV 42.4°, diagonal FOV 93.3°
Aperture	F1.6
Illuminator	
Supplement Light Type	IR & White Light
Supplement Light Range	White Light Distance: up to 30 m IR Distance: up to 30 m
Smart Supplement Light	Yes
IR Wavelength	850 nm
PTZ	
Movement Range (Pan)	0° to 340°
Movement Range (Tilt)	-5° to 105°
Pan Speed	Pan speed: configurable from 4° to 21°/s
Tilt Speed	Tilt speed: configurable from 4° to 19°/s
Video	
Video Compression	H.265, H.264, MJPEG
H.264 Type	Baseline Profile, Main Profile, High Profile
H.265 Type	Main Profile
Main Stream	50 Hz: 25 fps (2560 × 1440, 1920 × 1080, 1280 × 720)
Sub-Stream	50 Hz: 25 fps (1280 × 720, 640 × 480, 640 × 360)
Video Bit Rate	32 Kbps to 8 Mbps
Audio	
Audio Compression	G.711alaw/G.711ulaw/G.722.1/G.726/MP2L2/AAC/PCM
Audio Bit Rate	64Kbps(G.711ulaw/G.711alaw)/16Kbps(G.722.1)/16Kbps(G.726)/32-160Kbps(MP2L2)/16-64Kbps(AAC)
Audio Sampling Rate	8 kHz/16 kHz
Environment Noise Filtering	Yes
Network	
Protocols	IPv4/IPv6, HTTP, HTTPS, Qos, DNS, DDNS, NTP, RTSP, RTP, TCP/IP, UDP, DHCP, Bonjour
API	Open Network Video Interface, ISAPI, SDK
Image	
Image Settings	Saturation, brightness, contrast, sharpness
Wide Dynamic Range (WDR)	Digital WDR
Image Enhancement	BLC, HLC, 3D DNR
Interface	
Ethernet Interface	1 RJ45 10 M/100 M self-adaptive Ethernet port
On-board Storage	Built-in memory card slot, support microSD/SDHC/SDXC card, up to 256 GB
Built-in Microphone	Yes

Built-in Speaker	Yes
Reset	Yes
Event	
Basic Event	Motion detection
Alarm Linkage	Upload to FTP, notify surveillance center, send email, upload to memory card
General	
Operating Condition	With supplement light on: -30 °C to 40 °C. Humidity 95% or less (non-condensing) With supplement light off: -30 °C to 50 °C. Humidity 95% or less (non-condensing)
General Function	Mirror, password protection, watermark
Power	12 VDC ± 25%, 0.75 A, max. 9 W, Ø5.5 mm coaxial power plug, reverse polarity protection PoE: (802.3af, 36 V to 57 V), 0.2 A to 0.3 A, max. 10.8 W
Dimensions	Camera dimension: 162 mm × 120 mm × 234.2 mm (6.4" × 4.7" × 9.2") Package dimension: 205 mm × 167 mm × 289 mm (8.1" × 6.6" × 11.4")
Weight	Camera weight: 700 g (1.5 lb.) With package weight: 1250 g (2.8 lb.)
Approval	
EMC	FCC (47 CFR Part 15, Subpart B); CE-EMC (EN 55032: 2015, EN 61000-3-2: 2014, EN 61000-3-3: 2013, EN 50130-4: 2011 +A1: 2014); IC (ICES-003: Issue 6, 2016)
Protection	IP66 (IEC 60529-2013)

▪ Available Model

PTZ-N4MP

▪ Dimension



Unit: mm (inch)