

KIT-D4-PL302 Hybrid Intercom Kit



- Hybrid Intercom Kit with 1 indoor station and 1 four-wire analog door station
- User-friendly control with a convenient touch screen
- Convenient management via the Hik-Connect mobile client
- More cost-effective options with analog doorbells
- Easy installation as the doorbell requires no exclusive power supply

▪ Specification

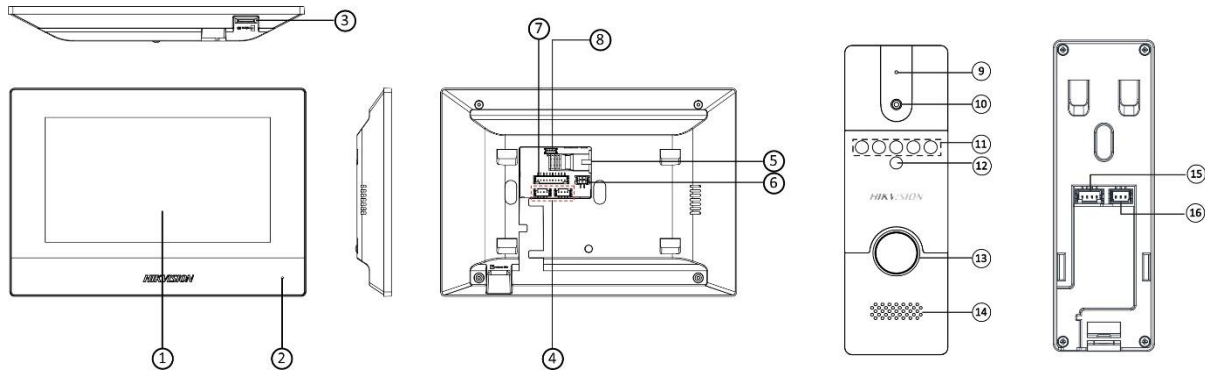
Door station	
Resolution	1920 x 1080
FOV	Horizontal: 66.2°, Vertical: 37.2°
Door station	
Audio input	Built-in omnidirectional microphone
Audio output	Built-in loudspeaker
Door station	
I/O output	1 relay output
Four-wire	1 for 4-wire interface
Door station	
Power supply	12 VDC
Power consumption	Max. 5 W
Working temperature	-10 ° C to 55 ° C (14 ° F to 131 ° F)
Working humidity	10% to 90%
Dimensions	135.14 mm × 49.6 mm × 41.93 mm (5.32" × 1.95" × 1.65")
Indoor station	
Operation system	Embedded Linux operation system
RAM	128 MB
ROM	32 MB
Indoor station	
Size	7-inch colorful TFT screen
Operation method	Capacitive touch screen
Type	Colorful TFT screen
Resolution	1024 × 600
Indoor station	
Resolution	/
Lens	/
WDR	/
FOV	/
Indoor station	
Audio input	Built-in omnidirectional microphone
Audio output	Built-in loudspeaker
Audio compression Rate	64 Kps
Audio compression standard	G.711 U G.711 A
Volume adjustment	Adjustable
Audio quality	Noise suppression and echo cancellation
Indoor station	
Linked IPC capacity	16
Notice capacity	200
Linked indoor extensions capacity	5
Linked doorphone capacity	2 analog doorphones, 15 IP doorphones Max.

Indoor station	
Wired network	10/100 Mbps self-adaptive
Wi-Fi	Wi-Fi 802.11 b/g/n
3G/4G	/
Bluetooth	/
Protocol	TCP/IP, SIP, RTSP
Indoor station	
Network interface	1 RJ-45 10/100 Mbps self-adaptive
RS-485	1
Alarm input	2-ch alarm inputs
Alarm output	2
Power input	1, 12 VDC
TAMPER	/
TF card	Max to 128 G, SD 2.0 or lower version
USB interface	/
Four-wire interface	2
Indoor station	
Button	0
Power supply	IEEE802.3af, Standard PoE,12 VDC
Power consumption	≤ 6 W
Working temperature	-10 °C to 50 °C (14 °F to 122 °F)
Working humidity	10% to 90%
Dimensions (W × H × D)	200 mm × 140 mm × 23.6 mm (7.9" × 5.5" × 0.9")
Installation	Surface mounting
Application environment	Indoor
Protective level	/
Weight	With package: 365 g Without package: 355 g

▪ Physical Interface

No.	Description
1	Screen
2	Microphone
3	TF Card Slot
4	Four-Wire Terminals
5	Network Interface
6	Power Supply Interface
7	Alarm Input/Relay Output/RS-485 Interface
8	Serial Port (For Debugging Use Only)
9	Microphone
10	Built-in Camera
11	IR Supplement Light
12	Call ButtonPhotoresistor
13	Call Button

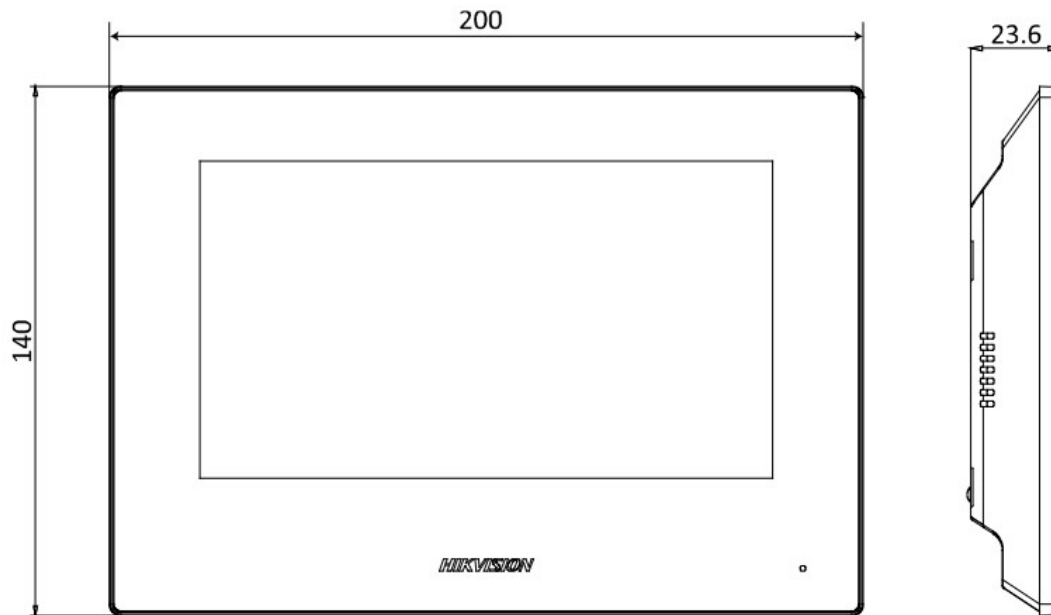
14	Four-Wire Interface
15	Cloud Speaker
16	Lock Interface

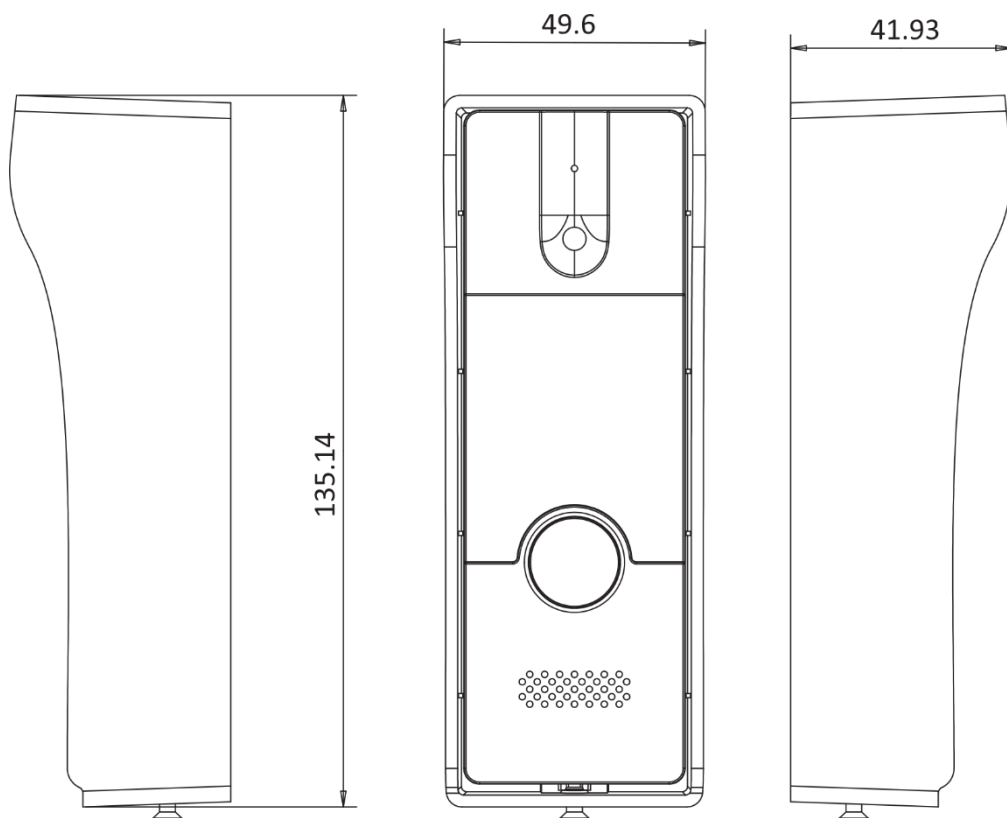


▪ **Available Model**

KIT-D4-PL302

▪ **Dimension**





Unit:mm

Headquarters

No.555 Qianmo Road, Binjiang District,
Hangzhou 310051, China
T +86-571-8807-5998
www.hikvision.com



Follow us on social media to get the latest product and solution information.

